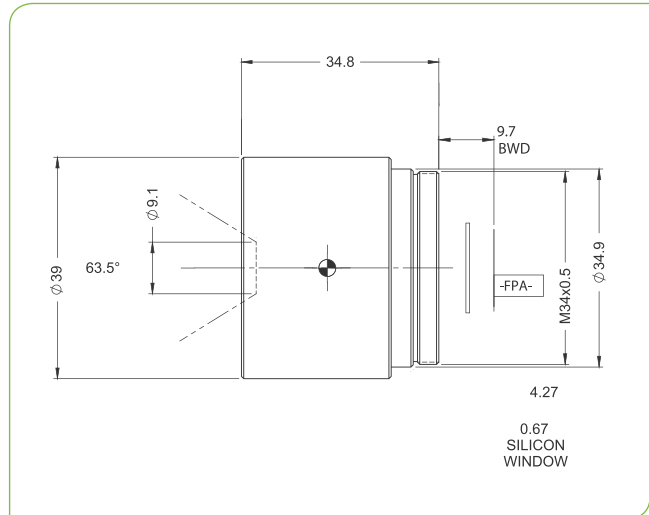


# SupIR 12.8mm f/1.4, Fixed Athermalized 680256

TYPICAL ICD\*



**HD  
FORMAT**



HFOV	320x240	384x288	640x480	1024x768
17μ	24.6°	29.5°	50.0°	
12μ	17.3°	20.8°	34.9°	56.8°

Property	Value				
<b>Optical</b>					
Focal Length	12.8mm				
F#	1.4				
Average transmission (8-12μm)	94% (HD)				
Back Focal Length	12mm in air				
<b>Mechanical</b>					
Focus Mechanism	Fixed				
Depth of Field	5m to infinity				
Focus Range	0.5m to infinity				
Weight	79gr				
Max. Dimensions	Ø39mm x 34.8mm				
<b>Environmental</b>					
Operation Temperature	-40°C to +80°C				
Storage Temperature	-50°C to +85°C				
Sealing	IP 68 front element only				
<b>Configurations</b>	<b>Weight (gr)</b>	<b>Dimensions</b>	<b>BWD**</b>	<b>Thread</b>	<b>Coating</b>
680256-001	79	Ø39mm x 34.8mm	9.7	M34x0.5	HD
680256-002					HC

\* The ICD drawing provided here is primarily a representation and may not accurately reflect the product's actual dimensions and specifications. For precise integration specifications contact your local sales representative.

\*\* The BWD value is calculated for a unique detector setup with varying sealing windows in terms of thickness and material. For more details, contact your local sales representative.